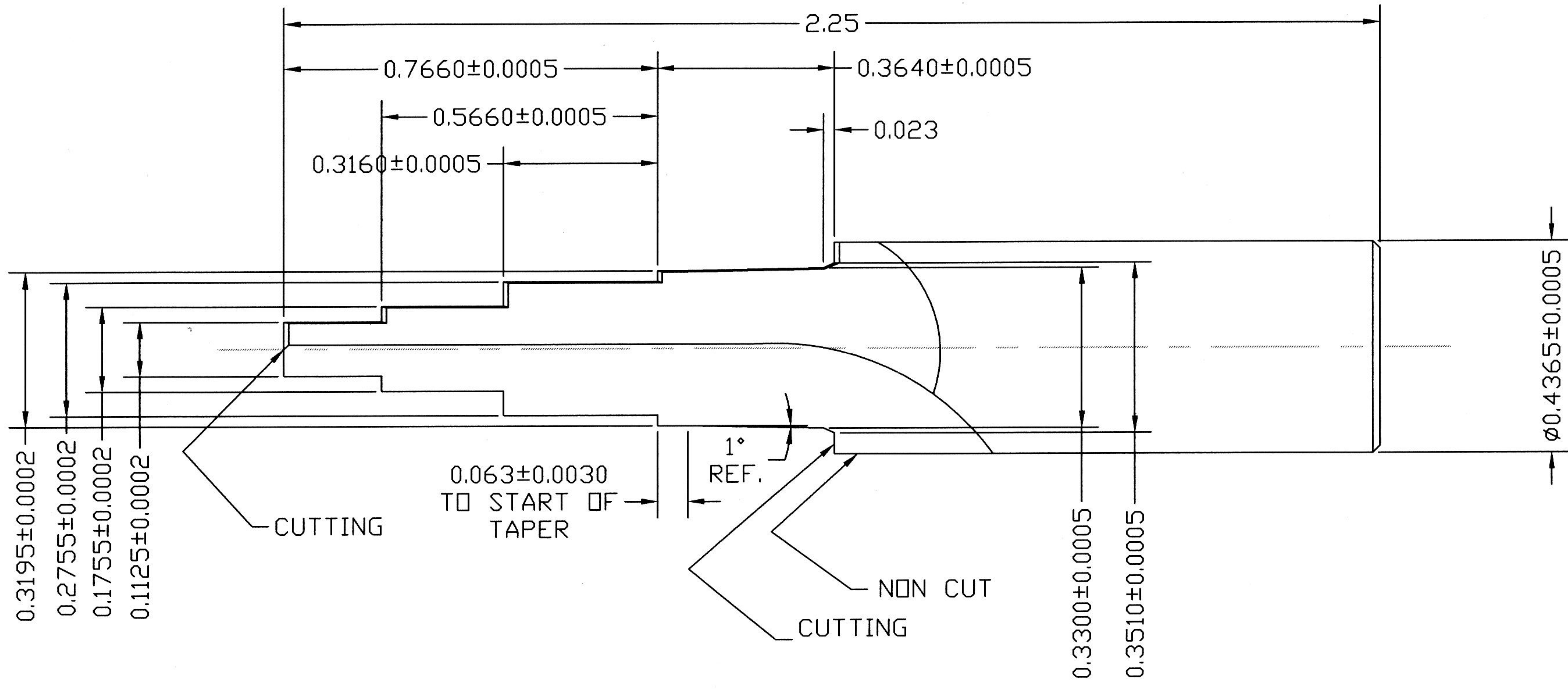


REVISIONS			
REV	DESCRIPTION	DATE	APPROVED
A	INITIAL RELEASE	8/20/08	
B	ADDED TAPER	8/25/08	
C	ADDED FACE AND CHAMFER	8/25/08	



NOTE:  
CUTTING 303 ST. STL.

GENERAL TOLERANCES, UNLESS NOTED	
.XX DECIMALS	±.010
.XXX DECIMALS	±.005
.XXXX DECIMALS	±.0005
SURFACE FINISH	63 ✓
ANGLES	±1°
BREAK ALL EDGES	
.010 X 45°	
UNLESS OTHERWISE SPECIFIED	

MTP ASSOCIATES SANDWICH, MA		
DWG. NO: SCB1914		
REV. C	EJP1901 A.J.O.	DATE: 8/20/08
TITLE: FINISH C'BORE, 2-FL. SPADE TYPE		
MATERIAL: SOLID CARBIDE BLANK		

