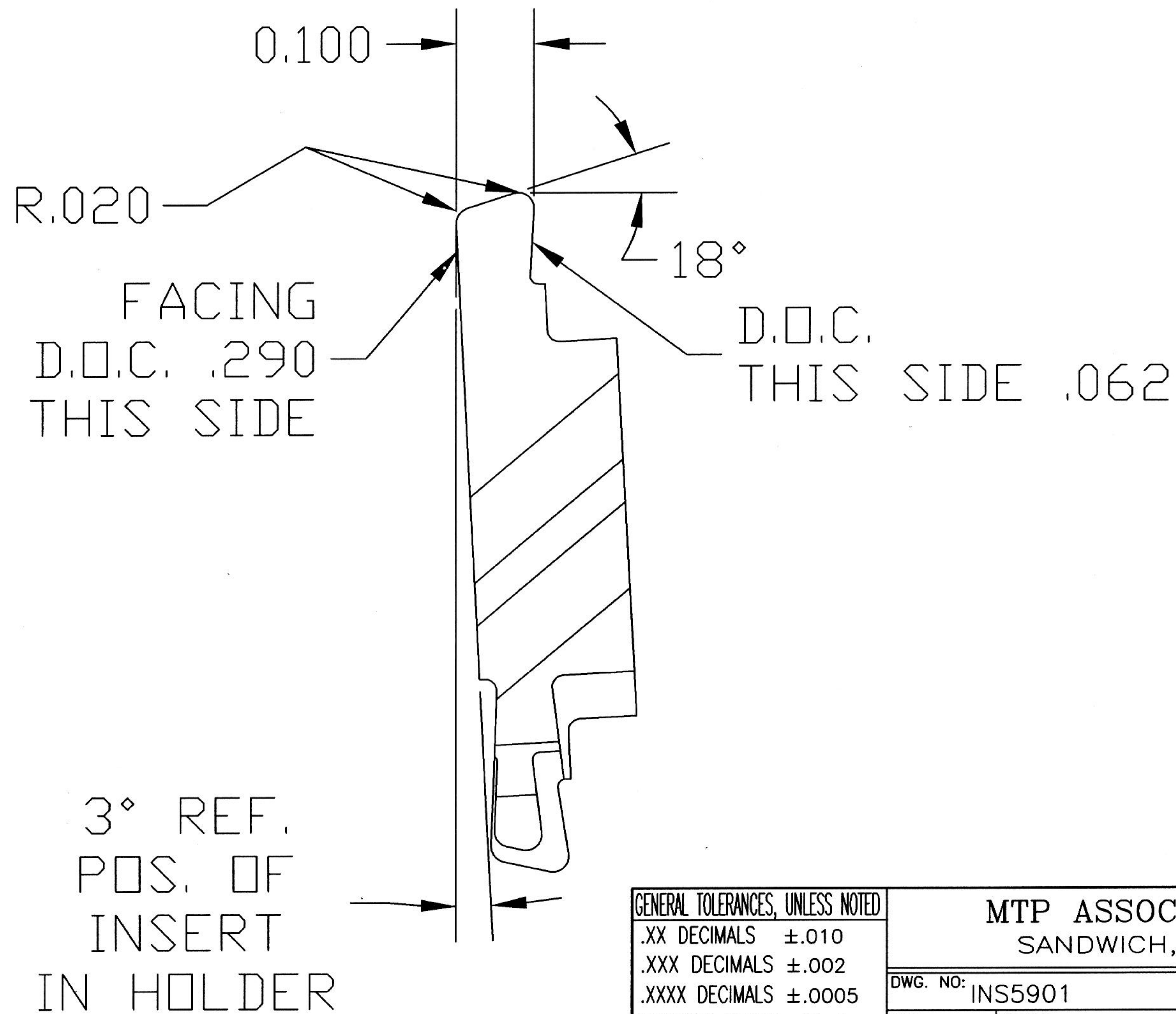


MIP
REVDATE

REVISIONS			
REV	DESCRIPTION	DATE	APPROVED
A	INITIAL RELEASE	11/14/08	
B	WAS #2 TOPNOTCH BLANK	11/18/08	



GENERAL TOLERANCES, UNLESS NOTED
 .XX DECIMALS ±.010
 .XXX DECIMALS ±.002
 .XXXX DECIMALS ±.0005
 SURFACE FINISH 63 ✓
 ANGLES ±1°
 BREAK ALL EDGES
 .010 X 45°
 UNLESS OTHERWISE SPECIFIED

MTP ASSOCIATES SANDWICH, MA		
DWG. NO: INS5901		
REV. B	DR. BY: A.J.O.	DATE: 11/14/08
TITLE: SPECIAL INSERT		
MATERIAL: #3 TOPNOTCH BLANK		

