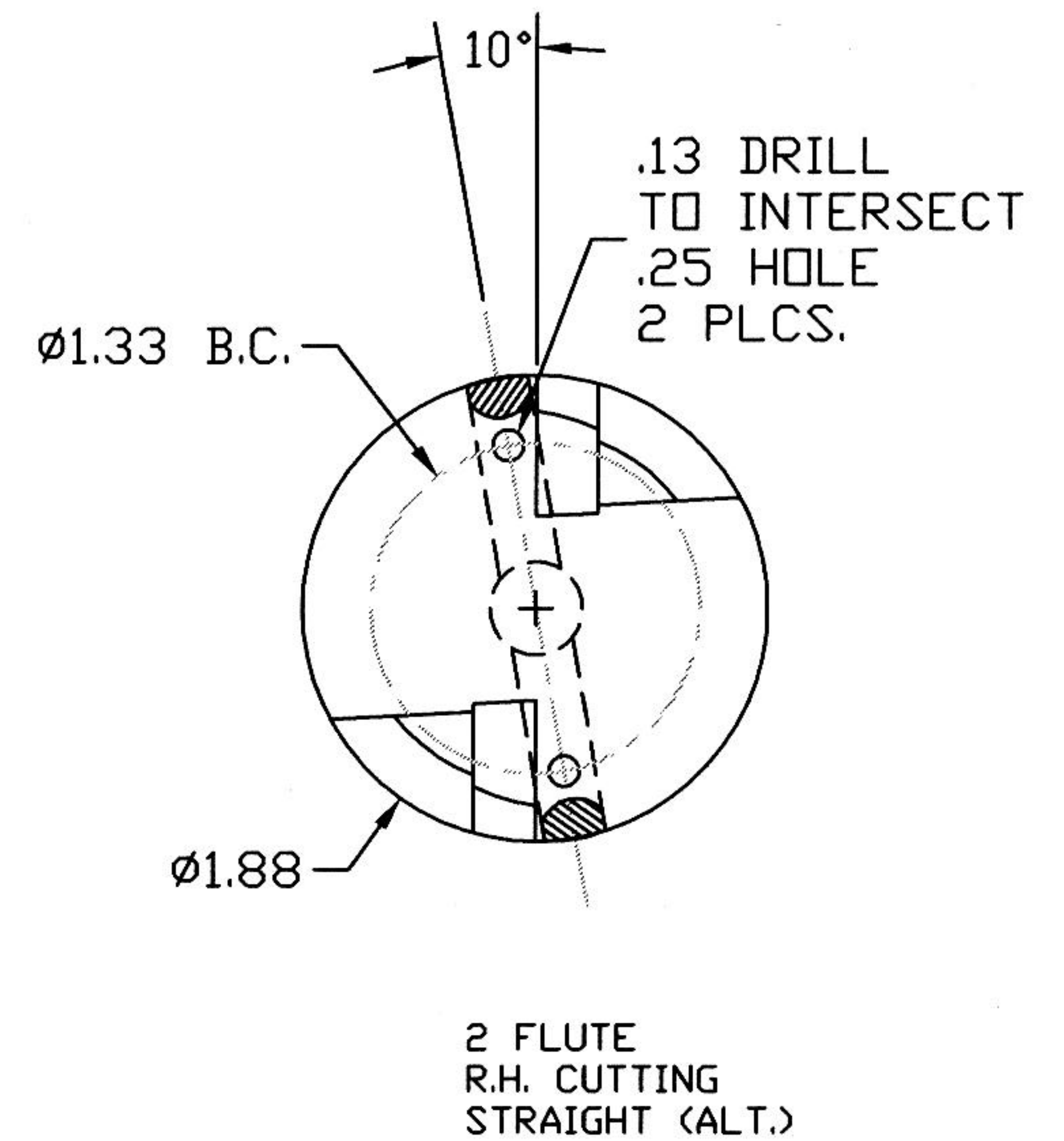
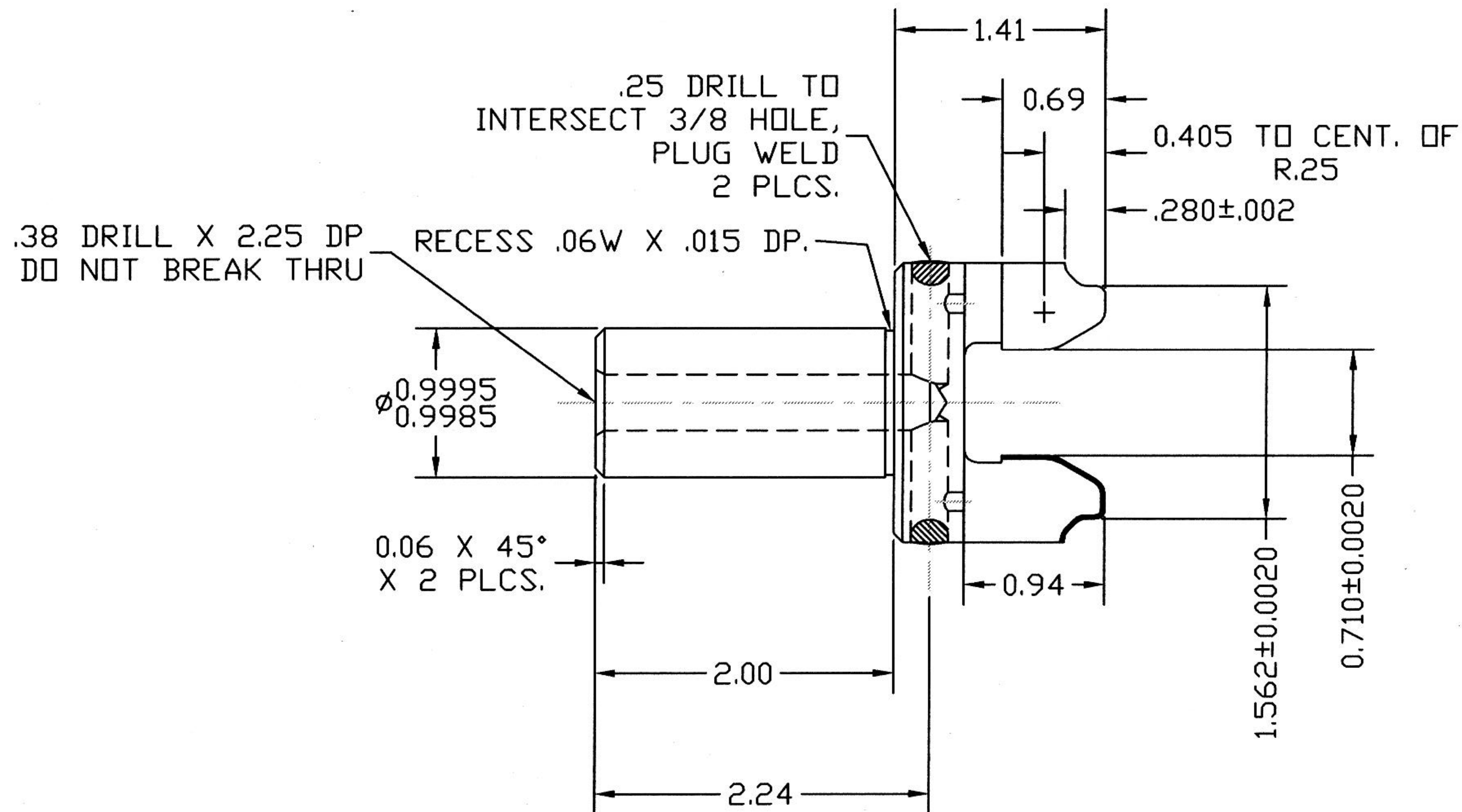



REVISIONS			
REV	DESCRIPTION	DATE	APPROVED
A	INITIAL RELEASE	2/4/05	



NOTE: CLEAR FOR CUTTING ALUMINUM
TiN COAT

GENERAL TOLERANCES, UNLESS NOTED .XX DECIMALS ±.010 .XXX DECIMALS ±.005 SURFACE FINISH 32 ✓ ANGLES ±1° BREAK ALL EDGES .010 X 45° UNLESS OTHERWISE SPECIFIED	MTP ASSOCIATES SANDWICH, MA			
	DWG. NO: TRE1908	CUST. TL NO:		
	REV. A	DR. BY: A.J.O.		DATE: 2/4/05
	TITLE: CARBIDE TIPPED TREPAN TOOL			
MATERIAL:				