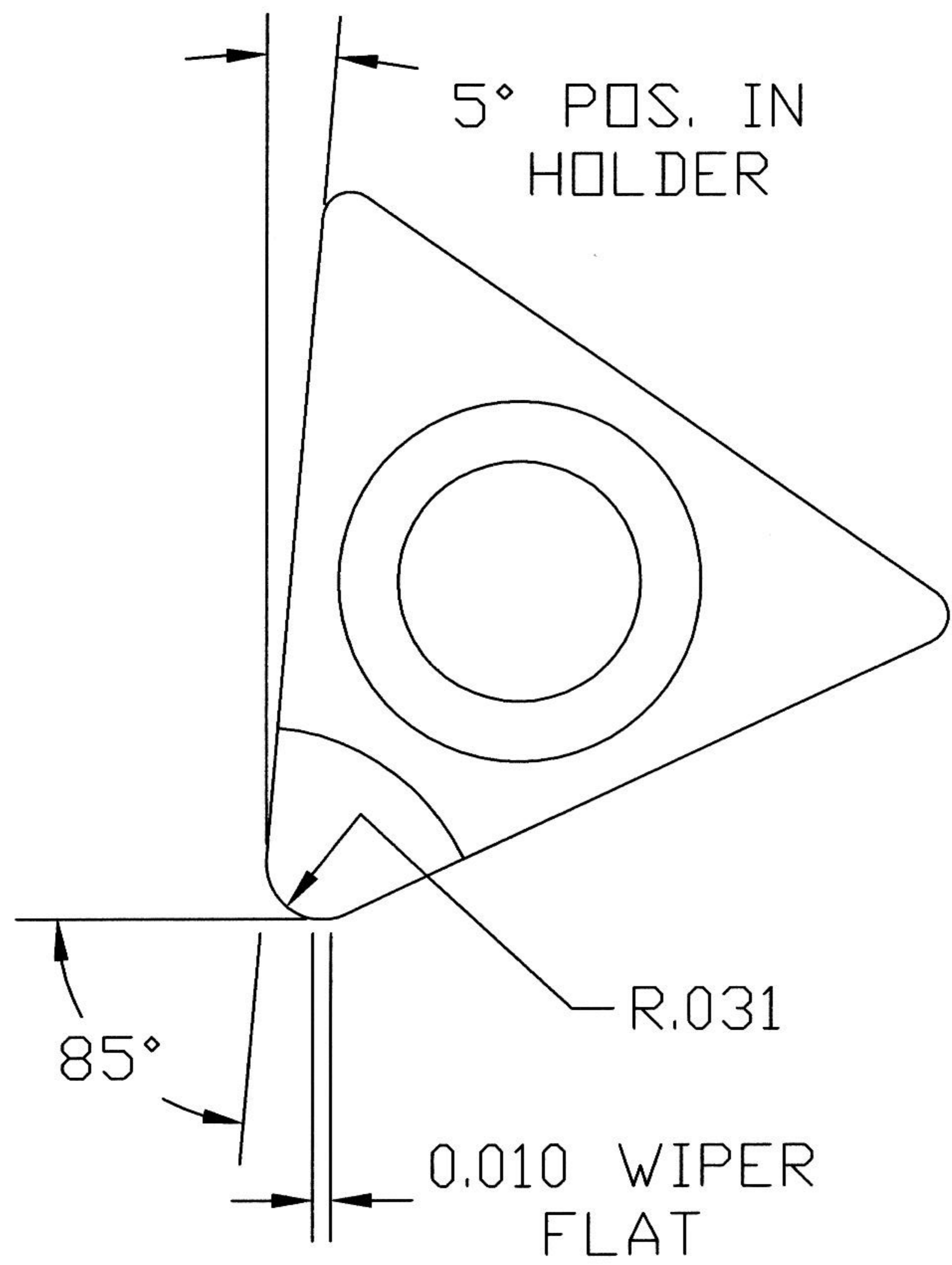


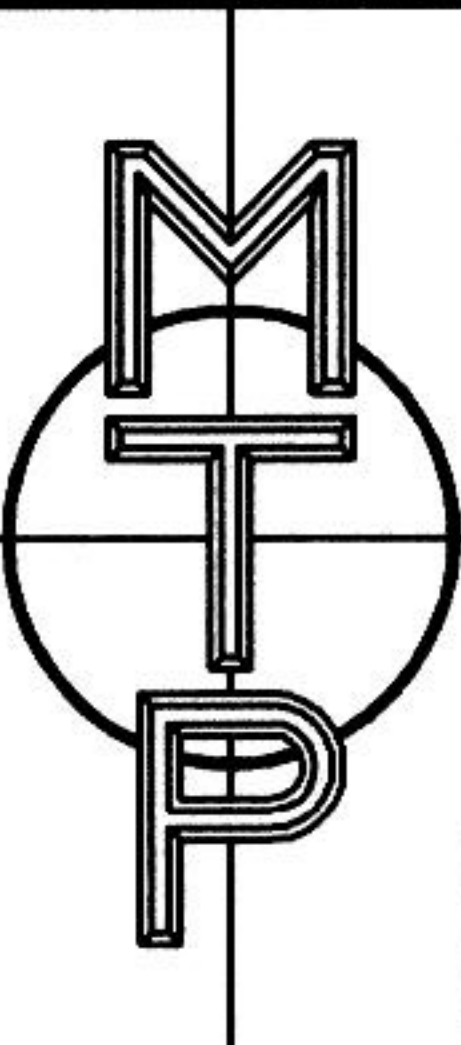


REVISIONS

REV	DESCRIPTION	DATE	APPROVED
A	INITIAL RELEASE	6/1/05	



NOTE: CUTTING CARBON

GENERAL TOLERANCES, UNLESS NOTED		MTP ASSOCIATES SANDWICH, MA		
.XX DECIMALS	±.010	DWG. NO: INS5605		
.XXX DECIMALS	±.005	REV. A	DR. BY: A.J.O.	
.XXXX DECIMALS	±.0005	DATE: 6/1/05		
SURFACE FINISH 32 ✓		TITLE: SPEC. PCD INSERT		
ANGLES ±1°		MATERIAL: EVEREDE TPGB-231, CS2		
BREAK ALL EDGES				
.010 X 45°				
UNLESS OTHERWISE SPECIFIED				

