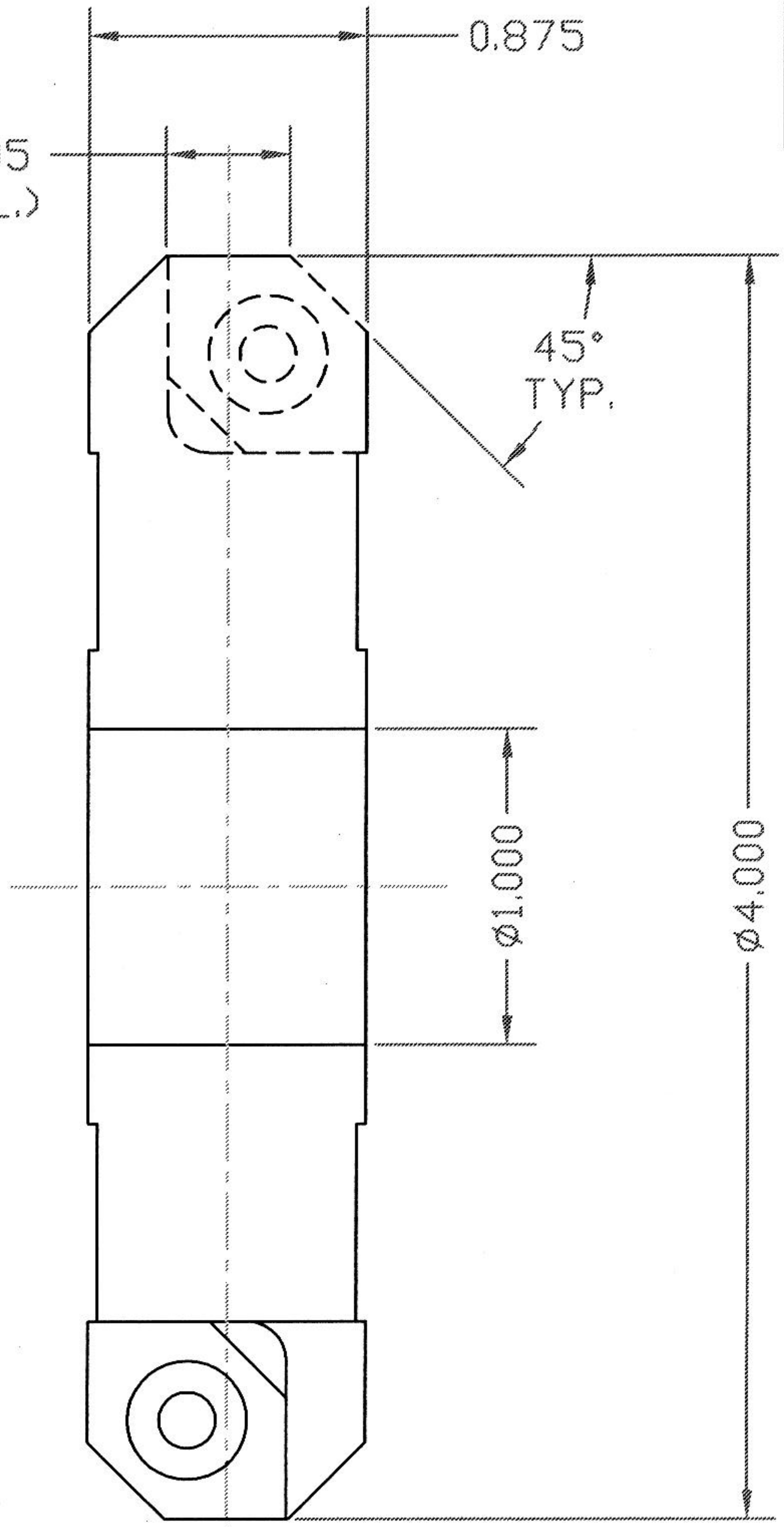
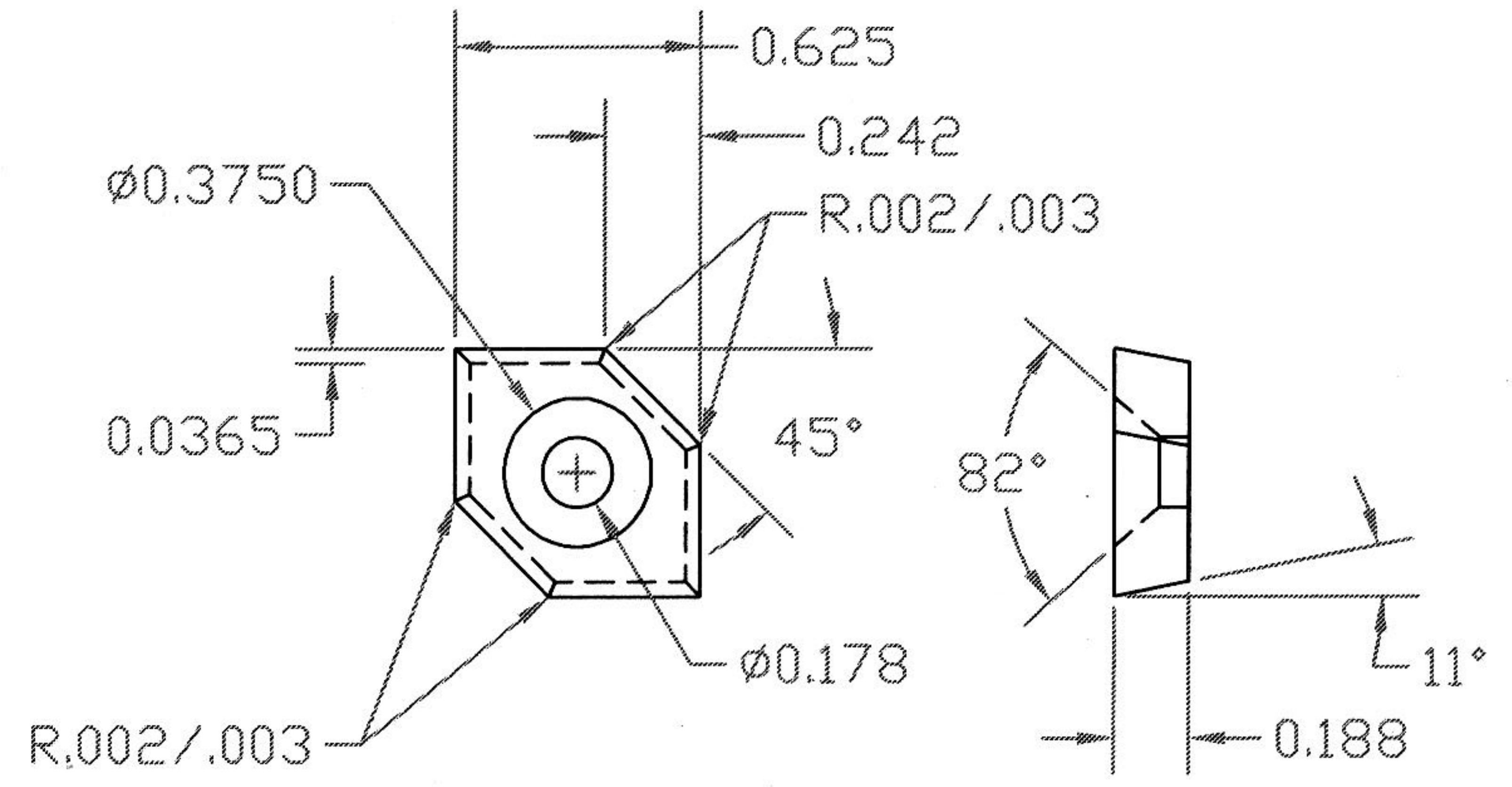


REVISIONS			
REV	DESCRIPTION	DATE	APPROVED
A	INITIAL RELEASE	3/31/03	
B	ADDED .035 REF. DIM.	4/21/03	
C	CHANGED INSERT DESIGN	4/29/03	

0.390±0.0050
 CENTERED W/IN .005
 (MEAN PRODUCT TOL.)



NOTE:
 STAGGERED TOOTH, 8 INSERTS
 INSERT #INS1914



GENERAL TOLERANCES, UNLESS NOTED	
.XX DECIMALS	±.010
.XXX DECIMALS	±.005
.XXXX DECIMALS	±.0005
SURFACE FINISH	32 ✓
ANGLES	±1°
BREAK ALL EDGES	.010 X 45°
UNLESS OTHERWISE SPECIFIED	

MTP ASSOCIATES SANDWICH, MA		
DWG. NO: SMC1902		
REV. C	DR. BY: A.J.O.	DATE: 3/31/03
TITLE: SPEC. MILLING CUTTER		
MATERIAL: 4140 STEEL, H/T 48-52 Rc		

