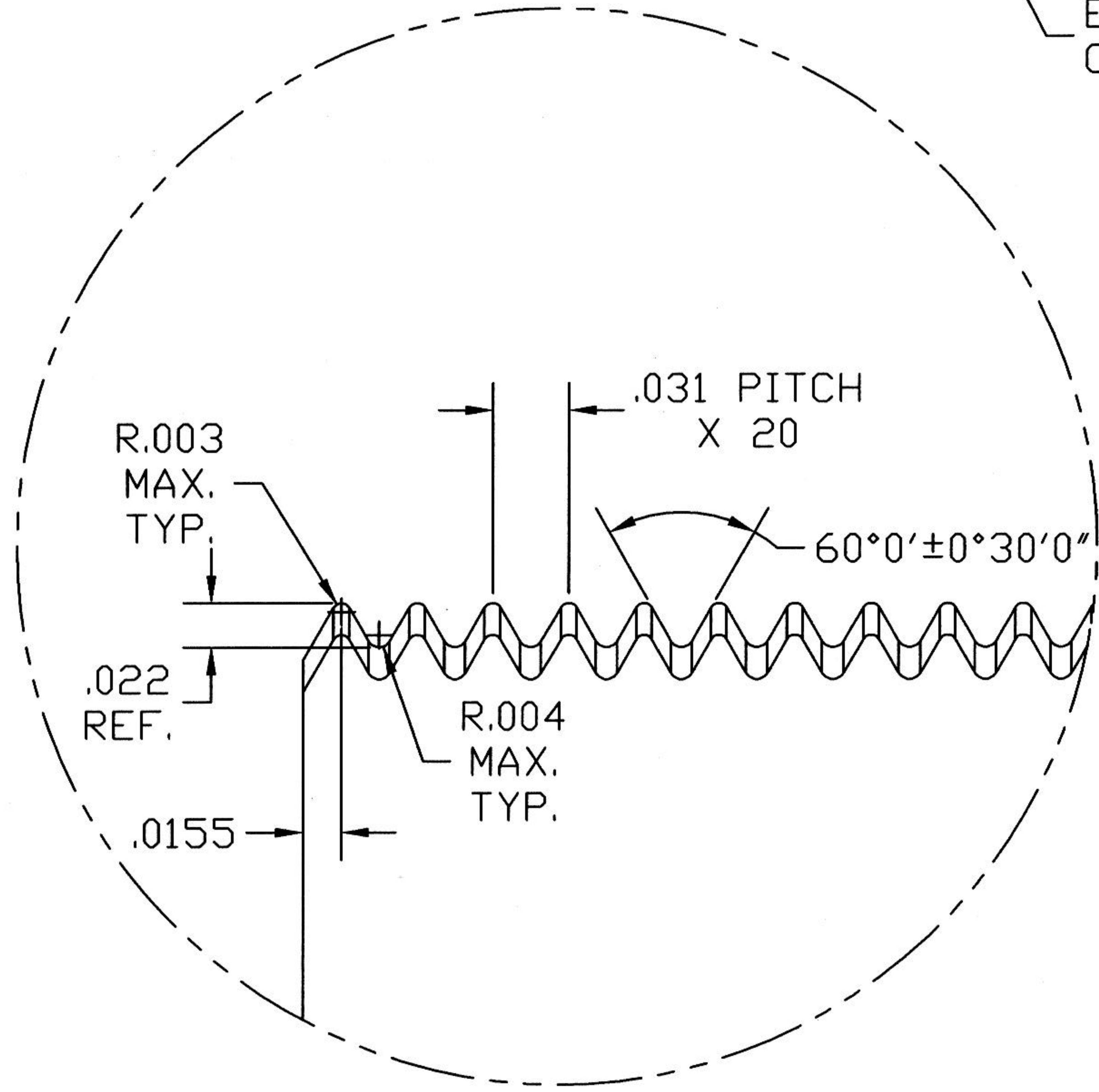
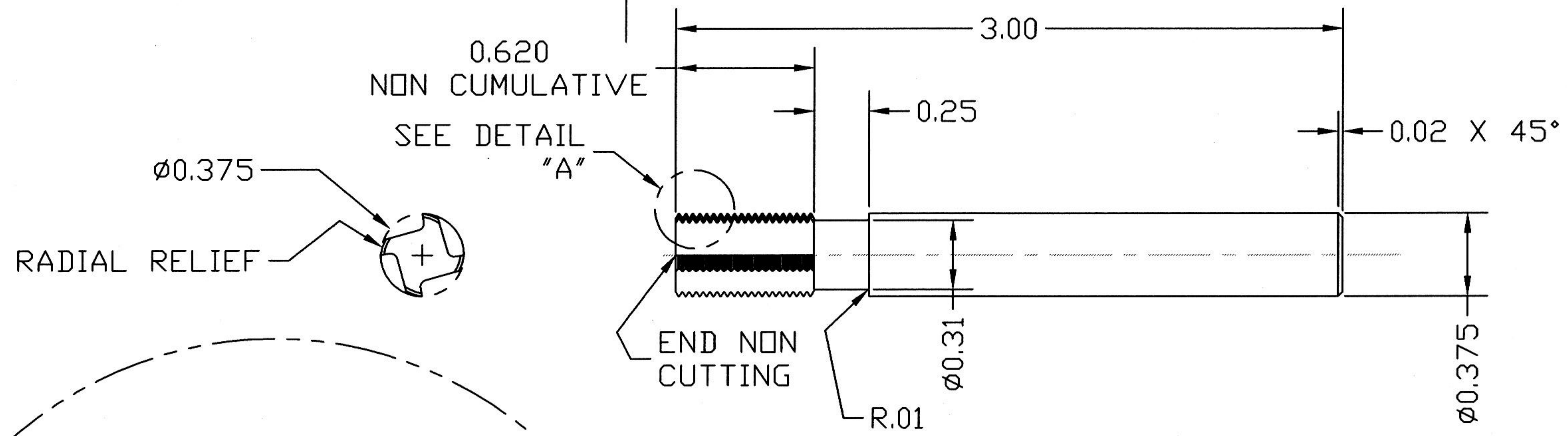


REVISIONS			
REV	DESCRIPTION	DATE	APPROVED



DETAIL "A"  
10 X

NOTES:  
HAND SAFETY: DEBURR UNSPECIFIED EDGES AND CORNERS TO ACHIEVE A SMOOTH BLEND RADIUS .010/.020  
RADIAL RELIEF, 4-FLUTE, R.H.

GENERAL TOLERANCES, UNLESS NOTED	
.XX DECIMALS	±.010
.XXX DECIMALS	±.001
SURFACE FINISH	32 ✓
ANGLES	±1°
BREAK ALL EDGES .010 X 45° UNLESS OTHERWISE SPECIFIED	

MTP ASSOCIATES SANDWICH, MA		
DWG. NO: SSC1902		
REV. A	DR. BY: A.J.O.	DATE: 11/8/05
TITLE: SPECIAL SERRATION CUTTER		
MATERIAL: SOLID CARBIDE		

