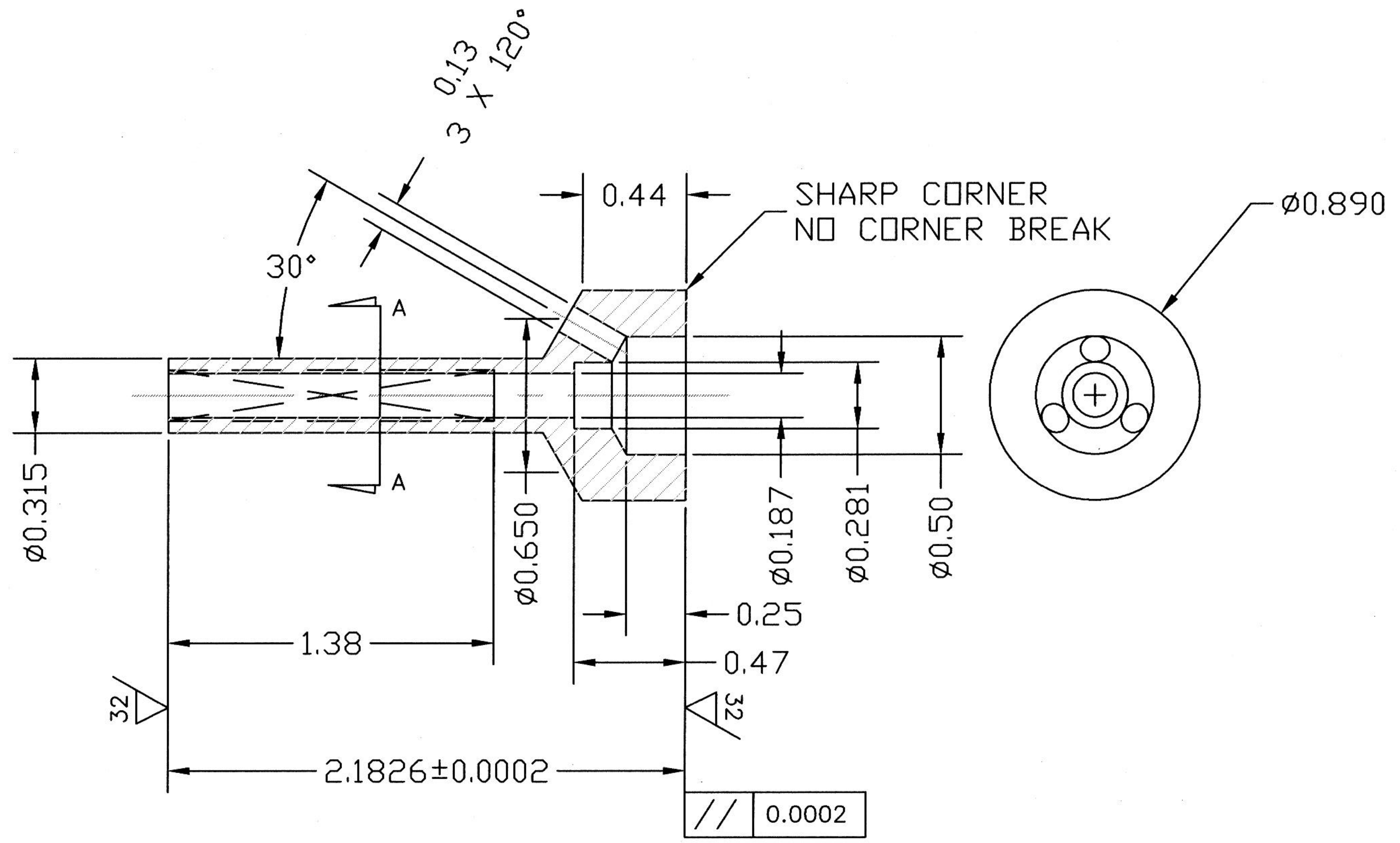
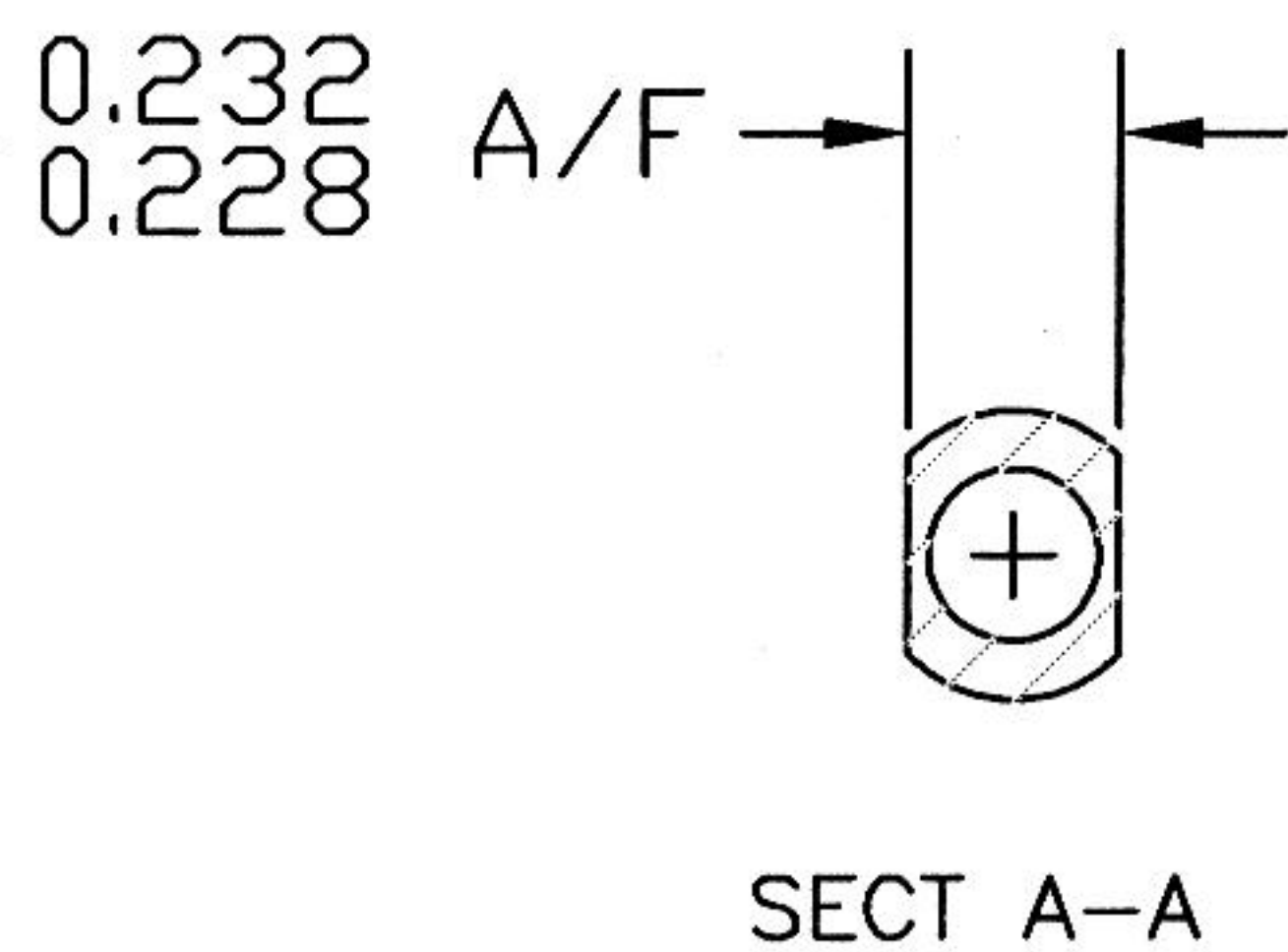


| REVISIONS | | | |
|-----------|-----------------|---------|----------|
| REV | DESCRIPTION | DATE | APPROVED |
| A | INITIAL RELEASE | 1/12/04 | |



H/T Rc 55 - 57
 CORNERS CHAMFERED 0.010-0.015 X 45°
 UNLESS OTHERWISE SPECIFIED.
 GLASS BEAD BLAST AFTER H/T AND BEFORE GRINDING.

GENERAL TOLERANCES, UNLESS NOTED
 .XX DECIMALS ±.010
 .XXX DECIMALS ±.005
 .XXXX DECIMALS ±.0005
 SURFACE FINISH 63 ✓
 ANGLES ±1°
 BREAK ALL EDGES
 .010 X 45°
 UNLESS OTHERWISE SPECIFIED

| | | |
|--|------------------|---------------|
| MTP ASSOCIATES SANDWICH, MA | | |
| DWG. NO: EJP1901 | | |
| REV. A | DRAWN BY: A.J.O. | DATE: 1/12/04 |
| TITLE: EJECTOR PIN | | |
| MATERIAL: D-2 TOOL ST. (ALT, A2 OR 01) | | |

