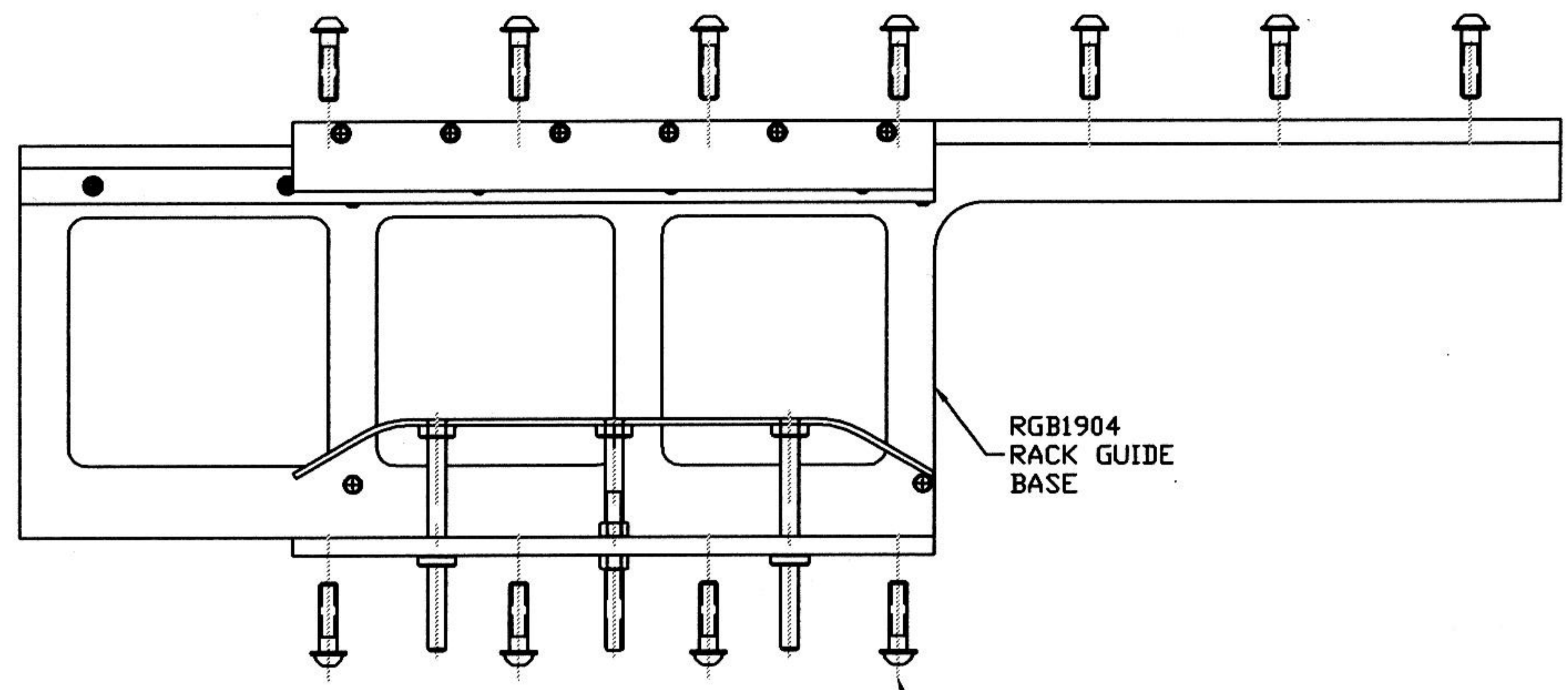
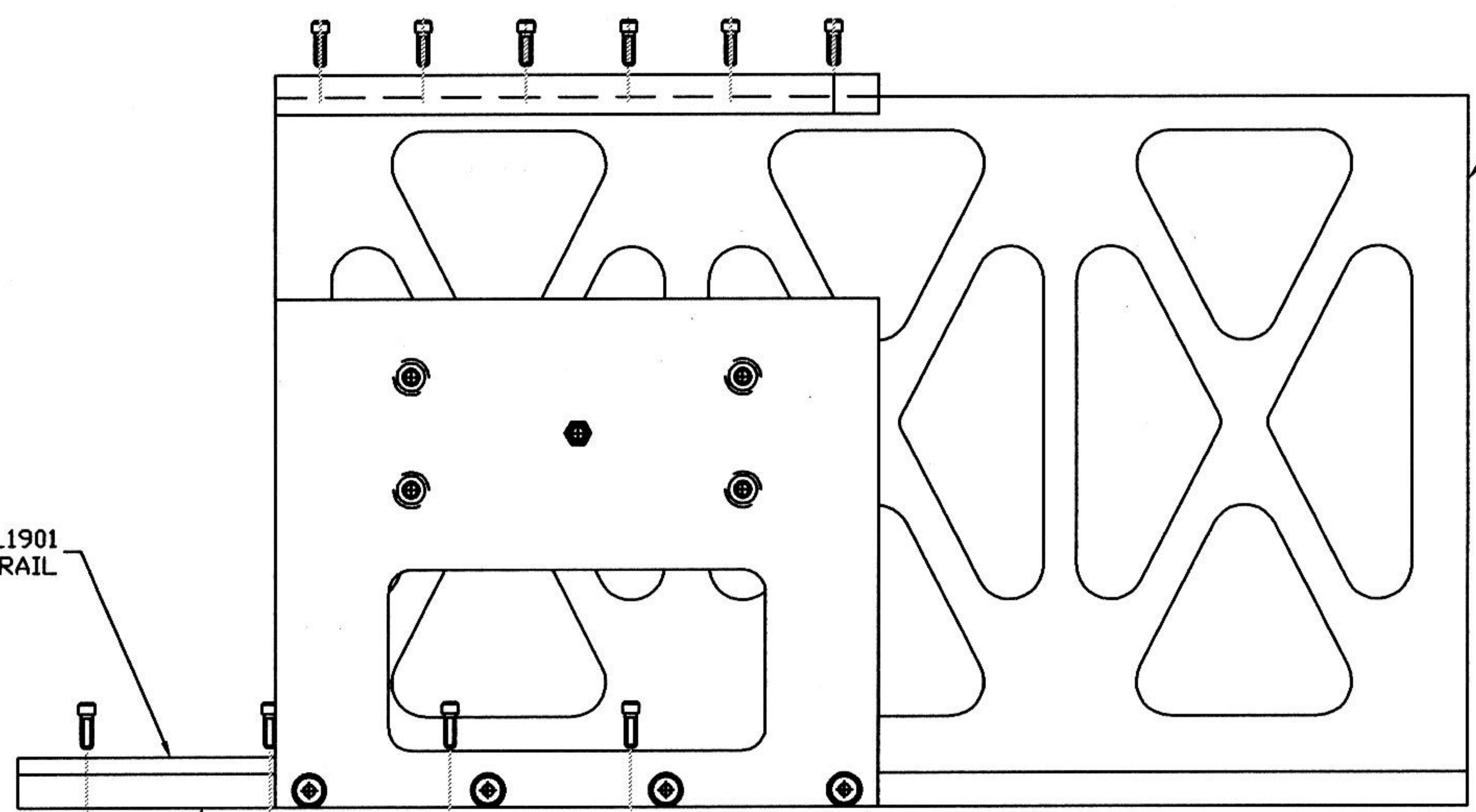


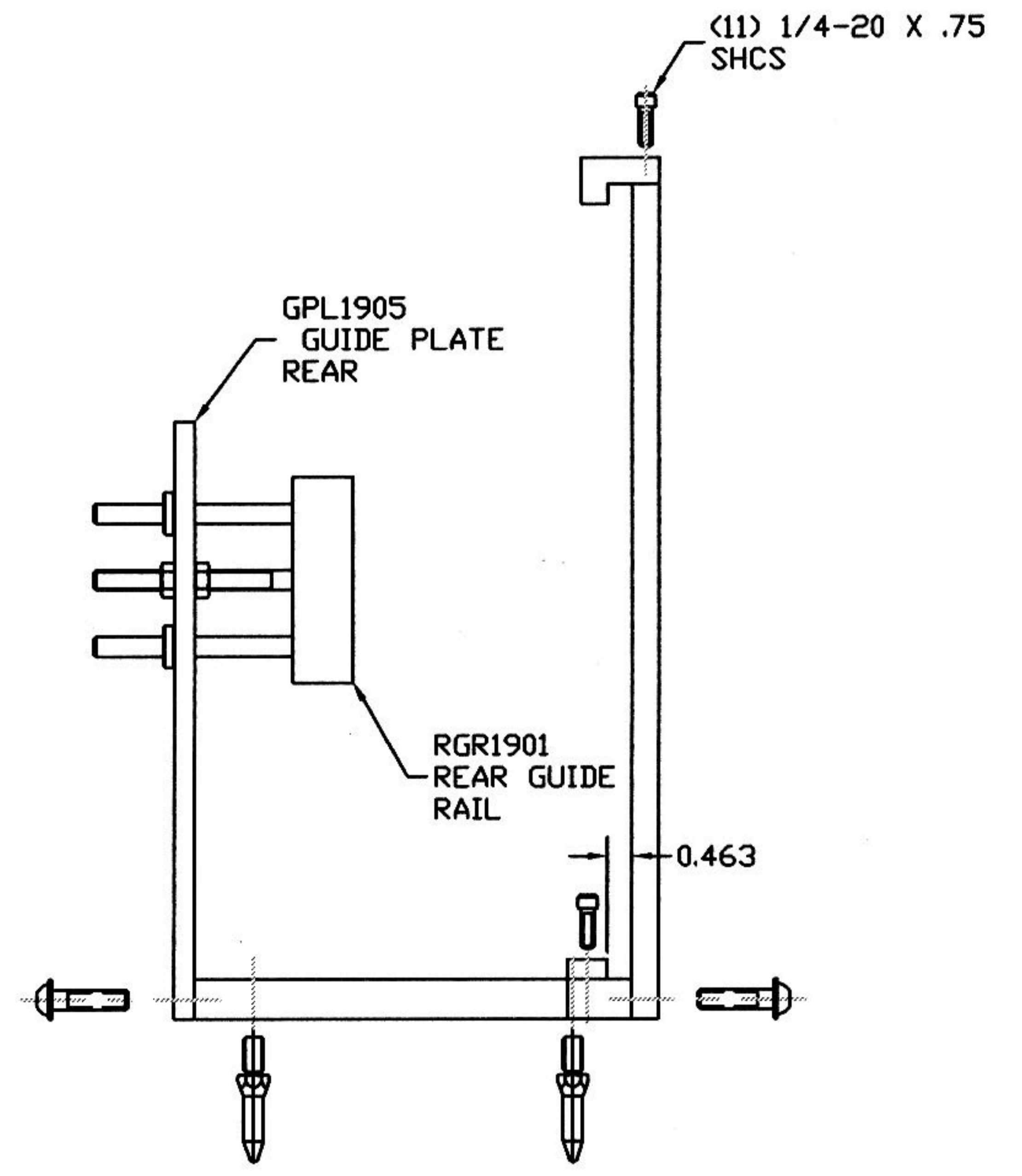
REVISIONS			
REV	DESCRIPTION	DATE	APPROVED
A	INITIAL RELEASE	4/7/08	
B	SHORTENED BOTTOM & TOP RAIL, REARRANGED HOLE PATTERN	5/1/08	



(11) 3/8-16 X 1.50  
BUTTON HEAD SHS  
(11) 3/4 X 1/16 WASHER



(4) LOP1902  
COATING PINS



GENERAL TOLERANCES, UNLESS NOTED  
 .XX DECIMALS ±.010  
 .XXX DECIMALS ±.005  
 .XXXX DECIMALS ±.0005  
 SURFACE FINISH 63 ✓  
 ANGLES ±1°  
 BREAK ALL EDGES  
 .010 X 45°  
 UNLESS OTHERWISE SPECIFIED

MTP ASSOCIATES  
SANDWICH, MA

DWG. NO: RGA1904		CUST TOOL NO.	
REV. B	DR. BY: A.J.O.	DATE: 4/7/08	
TITLE: RACK GUIDE ASSEMBLY, L. H.			
MATERIAL:			

