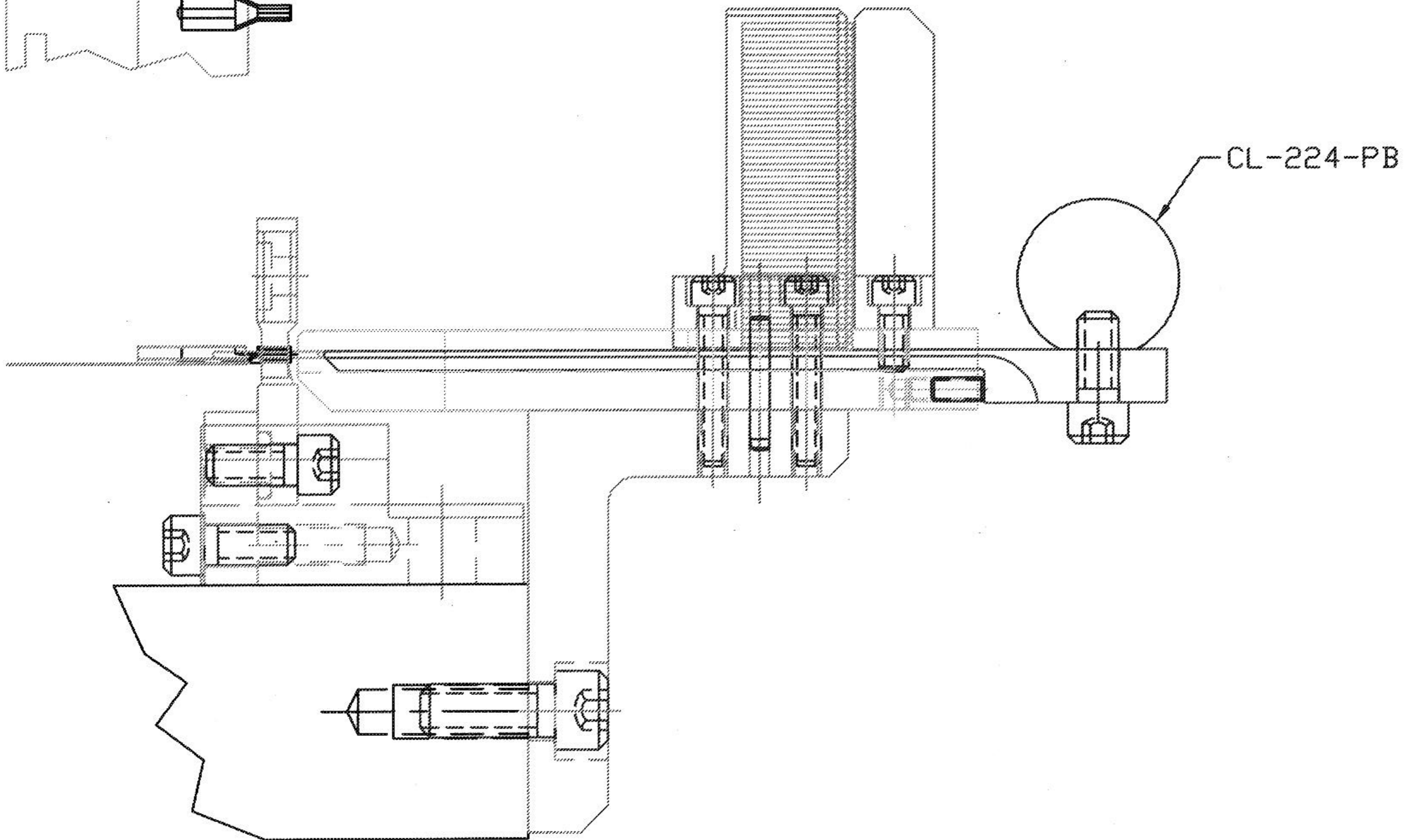
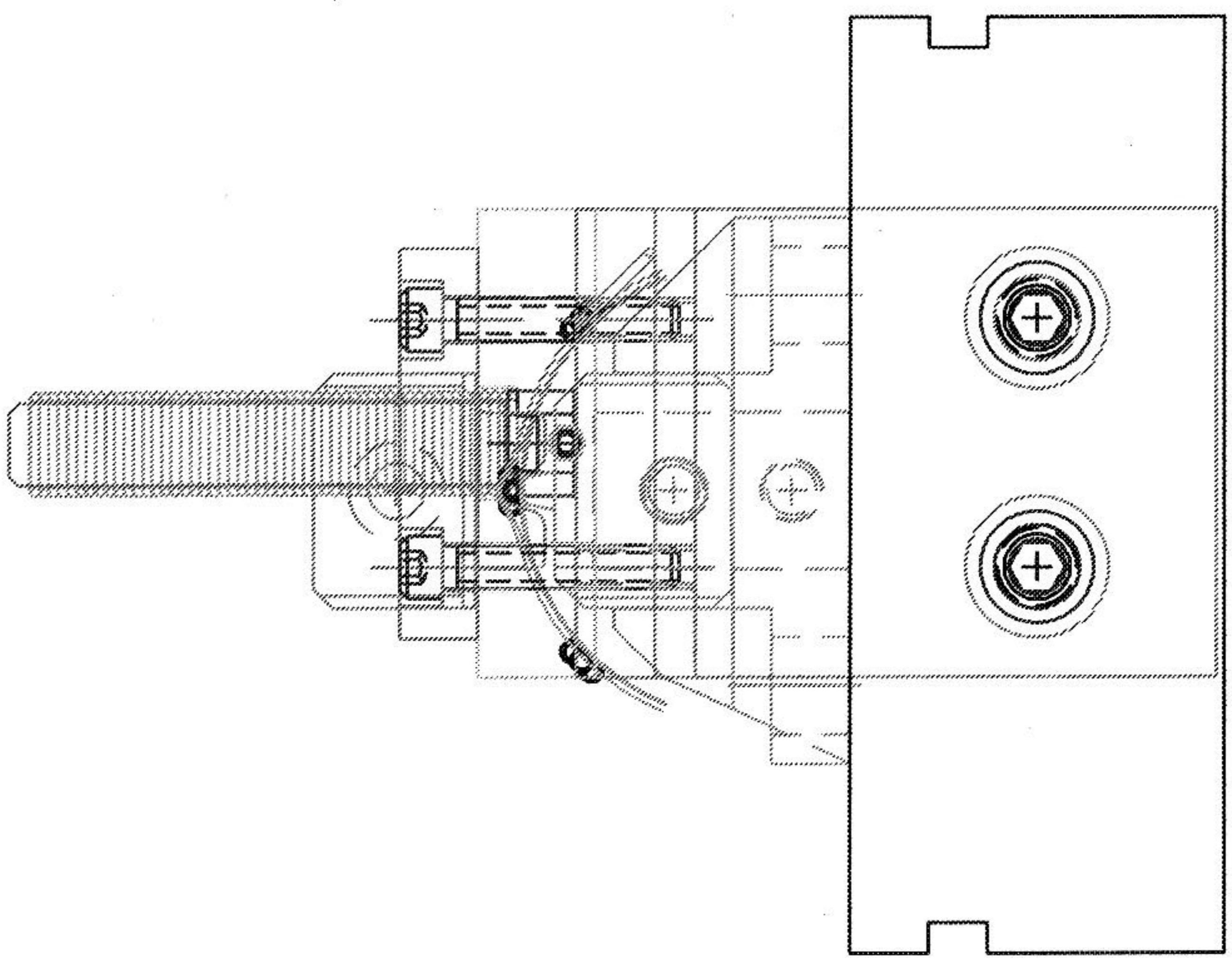
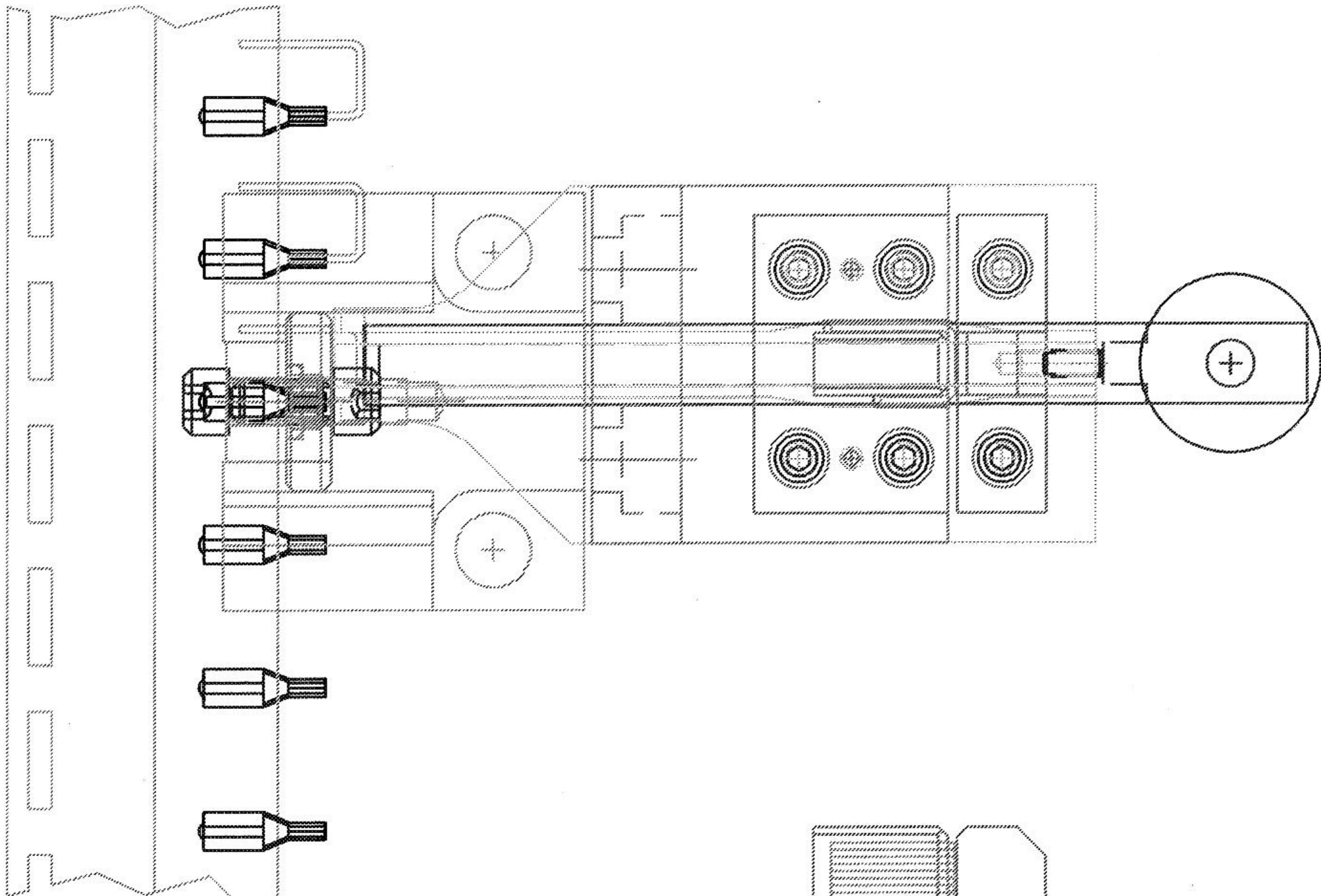


REVISIONS			
REV	DESCRIPTION	DATE	APPROVED
A	INITIAL RELEASE	3/13/08	



<b>GENERAL TOLERANCES, UNLESS NOTED</b> .XX DECIMALS ±.010 .XXX DECIMALS ±.005 SURFACE FINISH 63 ✓ ANGLES ±1° BREAK ALL EDGES .010 X 45° UNLESS OTHERWISE SPECIFIED	<b>MTP ASSOCIATES</b> SANDWICH, MA			
	DWG. NO: PART FEEDER			
	REV. A	DR. BY: A.J.O.	DATE: 3/13/08	
	TITLE: PART FEEDER LAYOUT			
MATERIAL: TOOL STEEL				